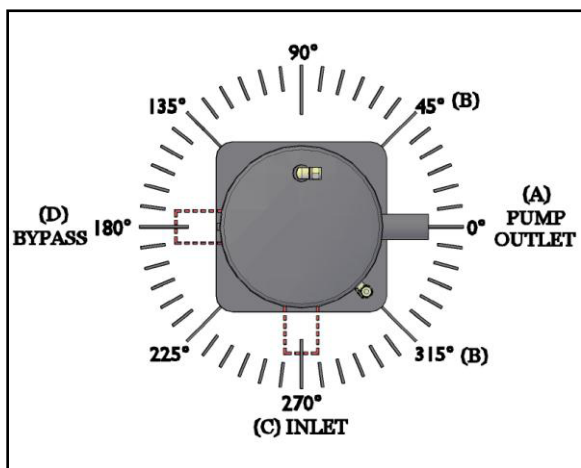


CLEAN-SEP

Clean-Sep Filtration Systems

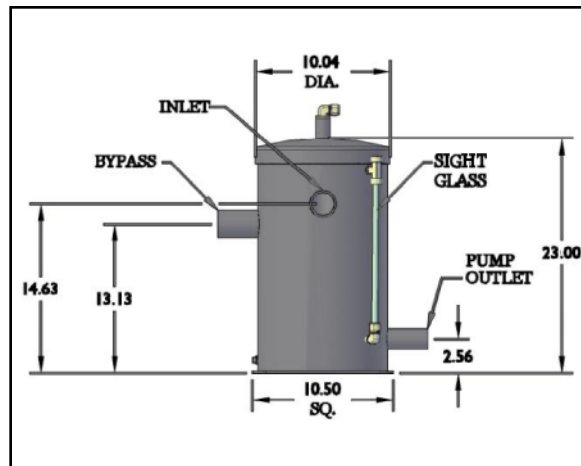
Clean-Sep reservoirs are custom-fabricated to match their target vessels. By customizing the port locations to accommodate the vessel footprint, unnecessary bends and elbows in the exhaust system are eliminated, thereby ensuring a more finely tuned generator system.



- A – Select outlet location: 0° (fixed)
- B – Select site glass location: 45° or 315°
- C – Select inlet location: Top Inlet or Side Inlet
(Side Inlet @ _____°)
- D – Select bypass location: _____°

Notes:

- Inlet, outlet, and bypass port sizes are matched to your generator and the appropriate Clean-Sep unit. Contact Northern Lights for this information.
- Dimensions shown are fixed and necessary for the proper functionality of the Clean-Sep unit.



Prepared by: _____

Company: _____

Date: _____

Vessel: _____

Mail, fax, or scan to:

Northern Lights, Inc.
 4420 14th Ave NW
 Seattle, WA 98107-4616
 Tel: 1-800-762-0165
 Fax: 206-782-5455
www.northern-lights.com