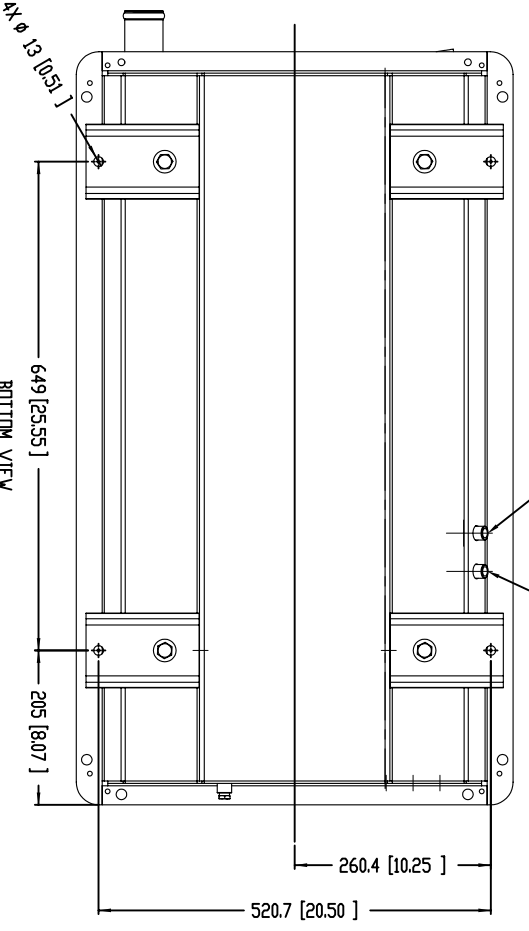
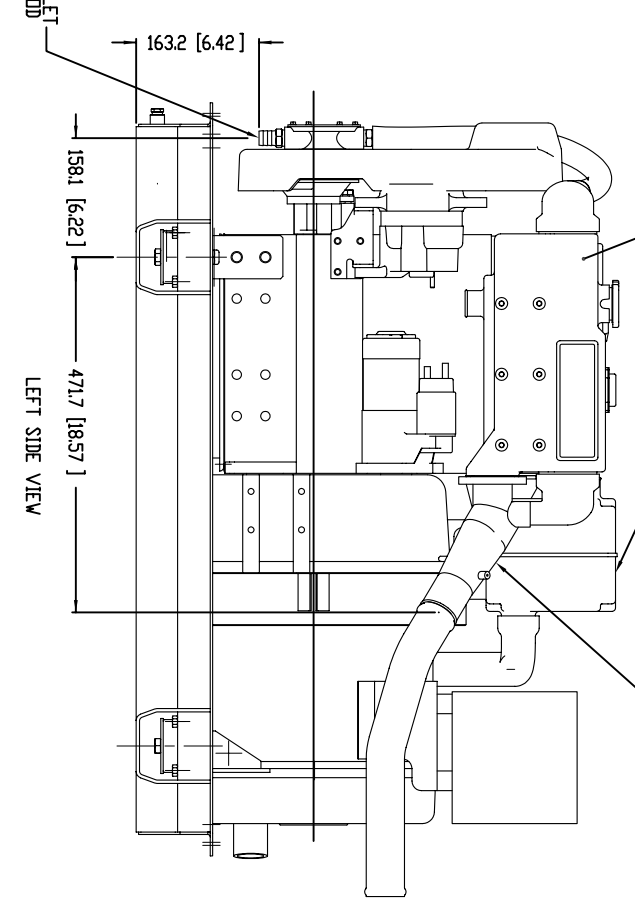
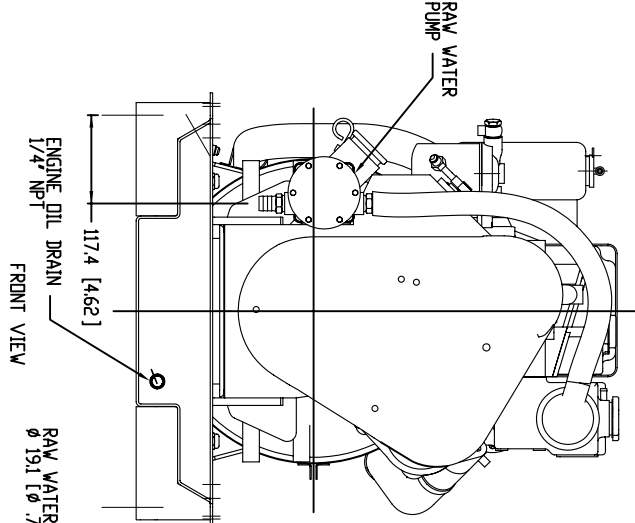
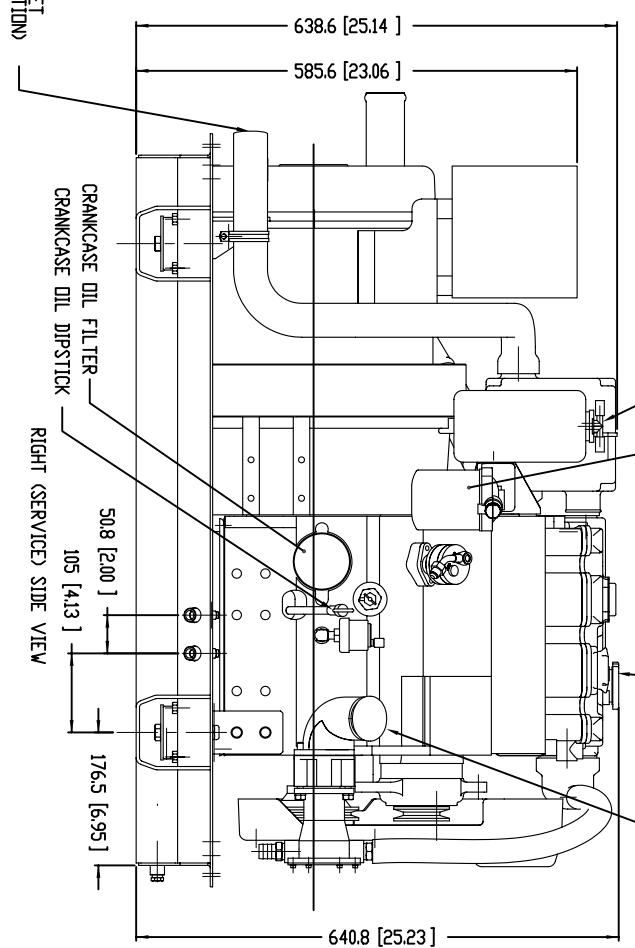
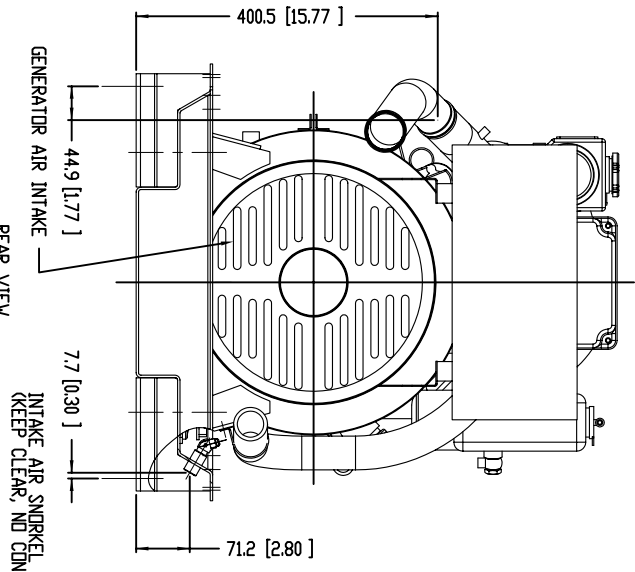
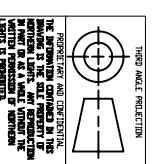


COOLANT OVERFLOW BOTTLE FILL
FUEL FILTER
COOLANT FILL
CRANKCASE OIL FILL

HEAT EXCHANGER/EXPANSION TANK
AIR FILTER BOX
WET EXHAUST ELBOW
Ø 51 [Ø 201]



WEIGHT (MET) 3388 KG [747 LBS.]



UNLESS OTHERWISE SPECIFIED DIMENSIONS ARE IN MILLIMETERS FRACTIONS ARE IN 16ths DECIMALS ARE IN 100ths TOLERANCES: FRACTIONS: ± 0.13 DECIMALS: ± 0.13 HOLE POSITION: ± 0.25 HOLE DIA: ± 0.13	DATE 12/26/10	WMC	DESIGNED BY M. J. WILSON	APPROVED BY M. J. WILSON	REV D-4488
ENGINEERING AND CONSTRUCTION 1400 14TH AVE. NW SHELTON, VA 22087 WWW.NORTHERNLIGHTS.COM	TITLE INSTALLATION DIMENSIONS M843M3	SIZE DWG. NO. D-4488	SCALE: 1:5	WEIGHT:	SHEET 1 OF 1