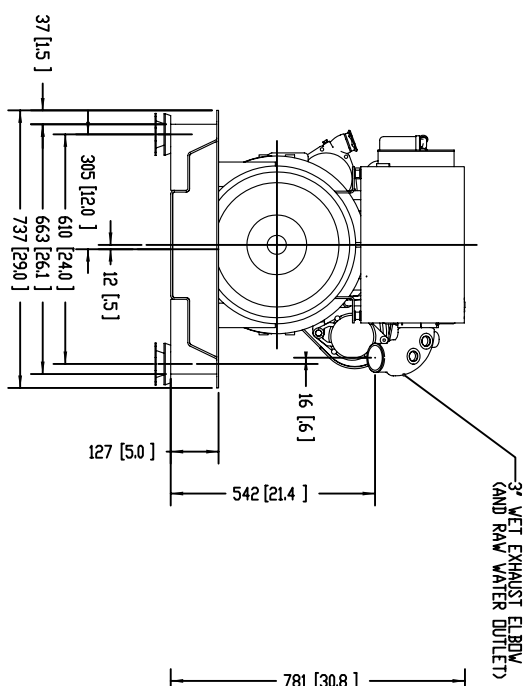
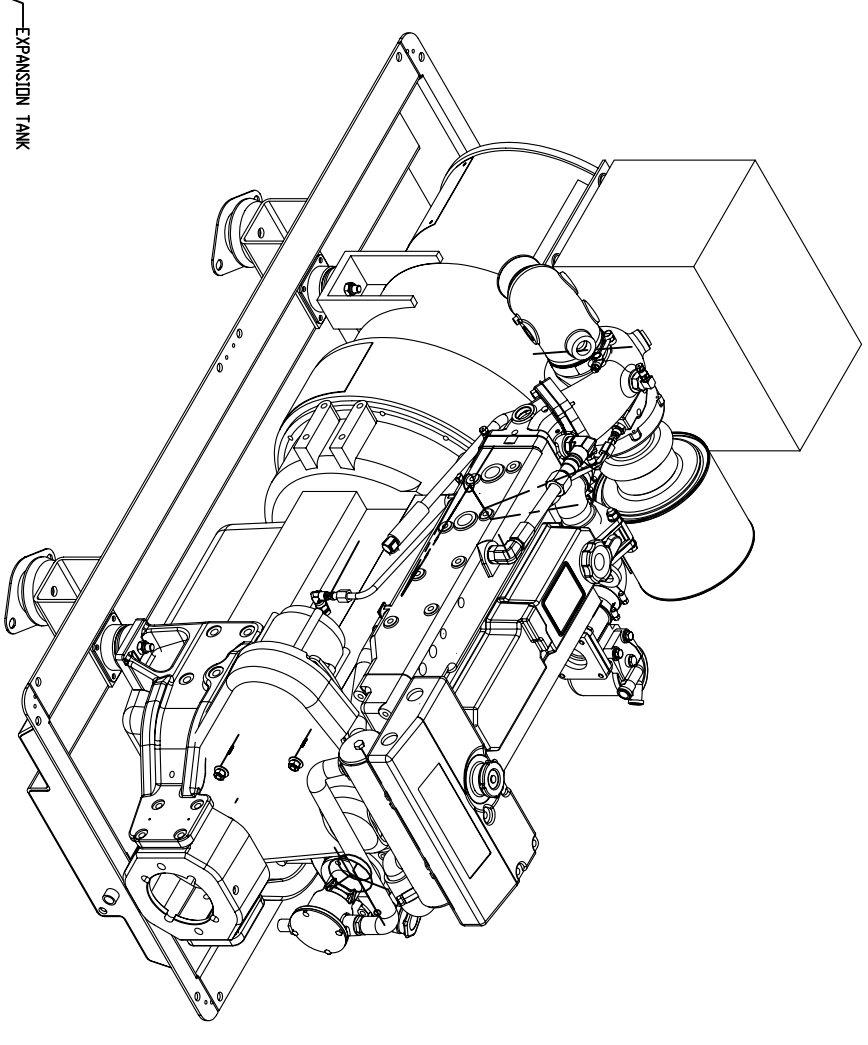
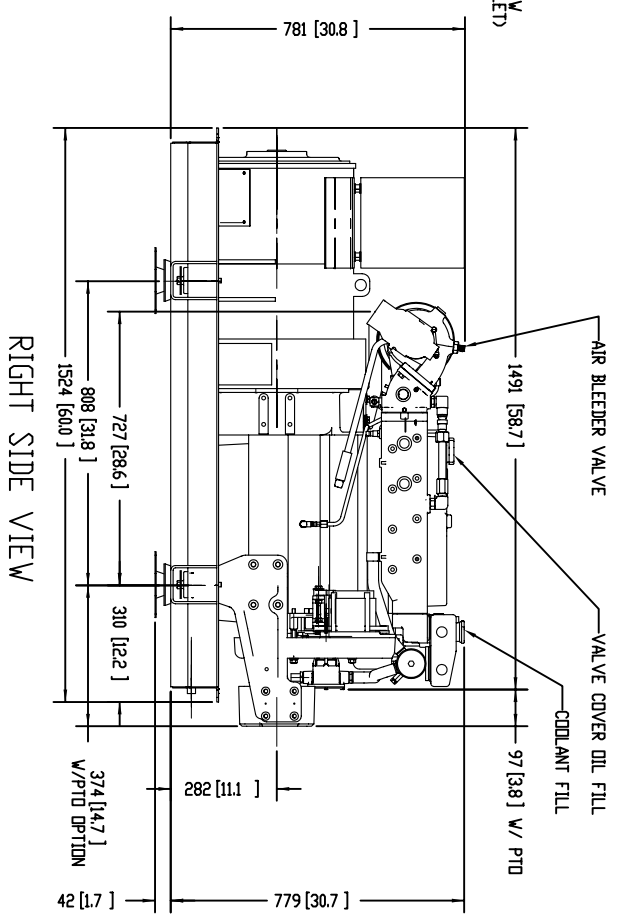


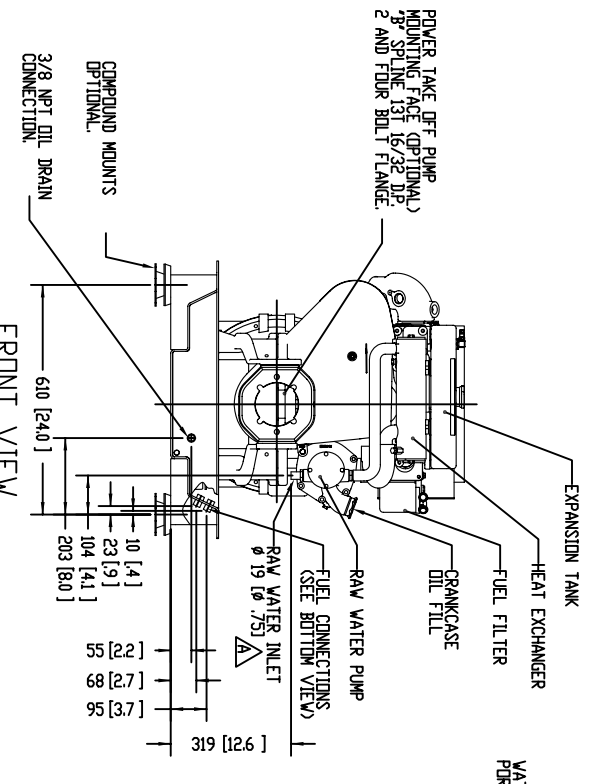
PLAN VIEW



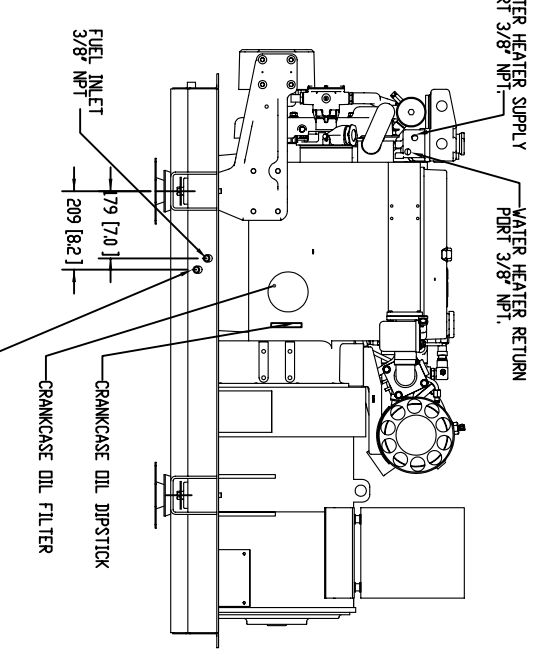
REAR VIEW



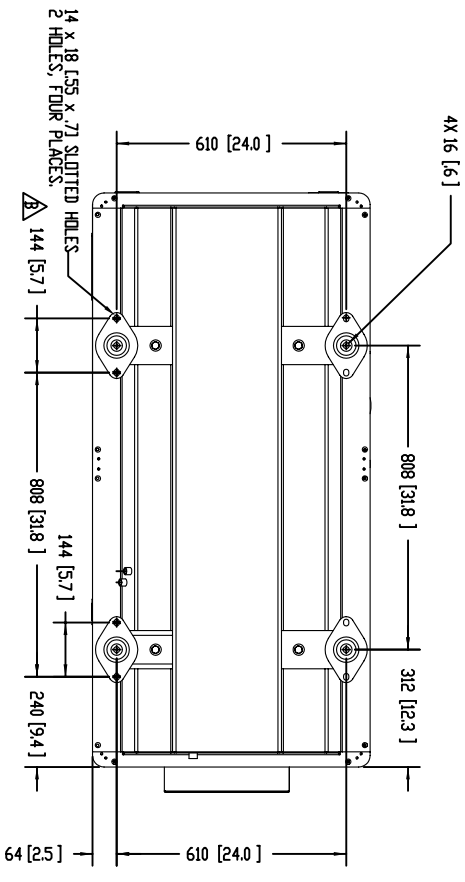
RIGHT SIDE VIEW



FRONT VIEW

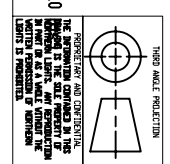


LEFT SIDE VIEW (SERVICE SIDE)



BOTTOM VIEW

WEIGHTS: GENSET (DRY) 642 kg [1418 lbs.], GENSET w/PTD 685 kg [1510 lbs.]



UNLESS OTHERWISE SPECIFIED	FINISH
DIMENSIONS ARE IN MILLIMETERS	UNLESS OTHERWISE SPECIFIED
FRAMES ARE TO BE ASSEMBLED TO THE HUBO MOUNT REDUCTION	UNLESS OTHERWISE SPECIFIED
FRAMES ARE TO BE ASSEMBLED TO THE HUBO MOUNT REDUCTION	UNLESS OTHERWISE SPECIFIED

NO. 1	DATE	BY	CHKD.
1	2/09	LTP	2/09

REV.	DESCRIPTION	DATE	APPROVED	CHECKED
3	ADDED WEIGHT DATA, BOTTOM MOUNTS AND RELATED DIMENSIONS.	12/21/10	LTP	KG 12/21/2010
2	ADDED RAW WATER INLET SIZE	11/06/09	LTP	
1	ISSUATION			

NORTHERN LIGHTS	
4420 14th AVE., N.W.	SEATTLE, WA 98107
(206) 789-8880	WWW.NORTHERNLIGHTS.COM

TITLE: INSTALLATION DIMENSIONS	
M9441T 1800/1500 rpm 3/1 phase GENSET	
SCALE: 1:10	WEIGHT: SEE NOTE.
SIZE: PART NO. D-4350	REV. B
SHEET 1 OF 1	